

**Nokia Customer Care
2255 (RM-97)
Mobile Terminal**

Disassembly/Assembly

Contents	Page
Safety Information	3
ESD Protection	3
Assembly Instructions	4
Disassembly Instructions	4
1. Remove the Battery Cover	4
2. Remove the Antenna	4
3. Remove the D-cover Screws	5
4. Remove the D-cover	5
5. Remove Flex Connector	6
6. Remove the PWB	7
7. Remove the Side Key Flex Cable	7
8. Remove the Keymat	7
9. Remove the Hinge	8
10. Remove the Hinge Flex Cable	8
10. Disassemble the A/B-cover	9
11. Remove the Display Shield	9
12. Remove the Main Flex Cable	11
13. Remove the Earpiece	11
14. Remove the LCD Display	12
15. Remove the Volume Key	12
16. Remove the Super Grommet	13
17. Remove the DC Jack	13
18. Remove the Microphone	14

Safety Information

Adhere to the following guidelines when assembling and disassembling the phone.

- **QUALIFIED SERVICE**
Only qualified personnel may install or repair phone equipment.
- **ACCESSORIES AND BATTERIES**
Use only approved accessories and batteries. Do not connect incompatible products.
- **CONNECTING TO OTHER DEVICES**
When connecting to any other device, read its user's guide for detailed safety instructions. Do not connect incompatible products.

ESD Protection

Nokia requires that phone repair centers have sufficient ESD protection against static electricity when servicing cellular phones. Use the following guidelines:



- A cellular phone that is ready for use can be handled normally without ESD protection. The battery can be replaced in normal conditions of use.
- Use ESD protection when replacing a color cover, except for the phone covers which can be replaced by the customer.
- All electronic parts of the phone, including the display, are susceptible to ESD. Resistors also can be damaged by static electricity discharge.
- All ESD-sensitive parts must be packed in metallized protective bags during shipping and handling outside any ESD Protected Area (EPA).
- Every repair action involving opening the phone or handling the phone components must be done under ESD protection.
- ESD-protected spare part packages **MUST NOT** be opened/closed outside an EPA.

For more detailed information about ESD protection and EPAs, contact your local Nokia Customer Care representative.

Assembly Instructions

To assemble the mobile terminal, follow the "Disassembly Instructions" in reverse order.

Disassembly Instructions

Use the following steps to disassemble the mobile terminal.

1. Remove the Battery Cover

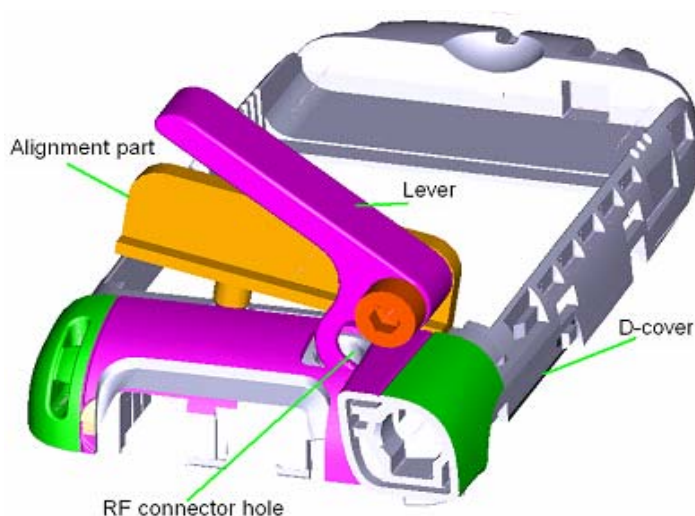
- a. Turn the mobile terminal off.
- b. Apply pressure to the battery cover, pushing towards the bottom of the mobile terminal to remove it.



- c. Remove the battery.

2. Remove the Antenna

Use the SS-87 antenna removal tool to remove the antenna. The extraction tool has a static part that aligns the tool onto the D-cover and a moving lever that passes through the RF connector hole and releases the hook from the D-cover as shown below.



3. Remove the D-cover Screws

Using a Torx 6 Plus screwdriver, undo the three screws beginning with the center top, followed by the two bottom screws. Use torque driver set to 13 Ncm (+/-2 Ncm) @ 550 RPM. Reuse screws for assembly.



4. Remove the D-cover

- a. Using a SRT-6 tool, unsnap the D-cover on either side of the mobile terminal.



- b. Remove the D-cover by lifting upward and then sliding off of the B/C-cover assembly, as shown below.



5. Remove the Flex Connector

Using the SRT-6 tool, unsnap the main flex connector, then release the snaps on either side of the PWB.



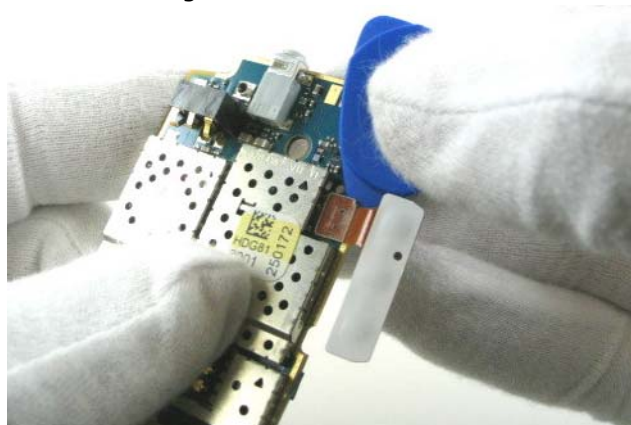
6. Remove the PWB

Gently lift and rotate the PWB from the assembly, so that the side key flex cable is removed along with the PWB.



7. Remove the Side Key Flex Cable

Using the SRT-6 opening tool, remove the side key flex cable from the PWB by opening the connection. Do not damage the connector.



8. Remove the Keymat

Press the keymat out of the C-cover from behind to remove it.



Note for Assembly: Be careful of alignment pin that retains the keymat in C-cover.

9. Remove the Hinge

Grasp the hinge assembly with both hands as shown and pull the hinge away from the A/B-cover assembly to unsnap the hinge pin.



Caution: Do not separate the two assemblies after the hinge is opened.

10. Remove the Hinge Flex Cable

Note: Prior to separating the two assemblies, free the flex cable through the flex access slot.

Using tweezers, lift the hinge bumper from the inner side of the C-cover to allow the flex to slide through, allowing the two halves of the hinge assembly to be separated.



10. Disassemble the A/B-cover

- a. Using a SRT-6 tool, unsnap the A/B-cover assembly beginning at the slots on either side of the hinge.
- b. Continue prying around the assembly to separate the covers.



11. Remove the Display Shield

- a. Remove the four Torx 6 Plus screws (in any order) using torque driver set to 13 Ncm (+/-2 Ncm) @ 550 RPM.



- b. Gently pry up on the display shield with the SRT-6 tool and rotate upwards to reveal the LCD connector.



- c. Using the SRT-6 tool unsnap LCD connector and separate the LCD display assembly from the display shield assembly.



12. Remove the Main Flex Cable

- a. Note of the location of the flex access slot. Gently slide the LCD assembly so that the flex slides through the access slot within the hinge. Separate the two assemblies.



13. Remove the Earpiece

Using the blunt end of the tweezers, press the earpiece out of the display shield assembly.



Note for Assembly: Do not to damage the earpiece spring contacts once it has been removed.

14. Remove the LCD Display

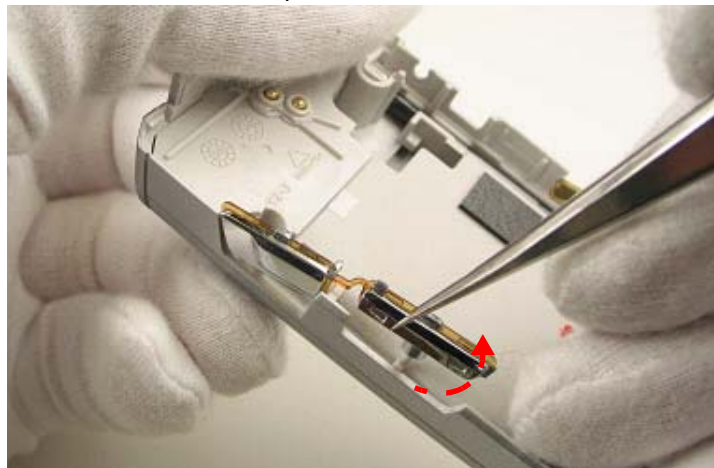
- a. Open the LCD flex connection on LCD assembly using the SRT-6 tool.
- b. Lift the display to remove it.



Caution: Do not damage the LCD flex cable while separating the components.

15. Remove the Volume Key

Using tweezers, lift the volume key to remove it from the C-cover.



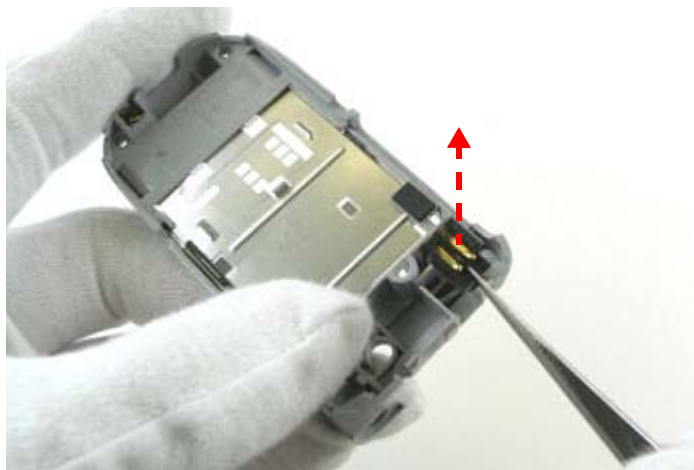
16. Remove the Super Grommet

Using tweezers, grasp the super grommet to lift and remove it from the D-cover.



17. Remove the DC Jack

Use either tweezers or DC plug to lift the DC Jack upwards from its position to remove it.



18. Remove the Microphone

Using tweezers, pluck the microphone from its position.



Note for Assembly: Once removed, always replace the microphone module with a new assembly.